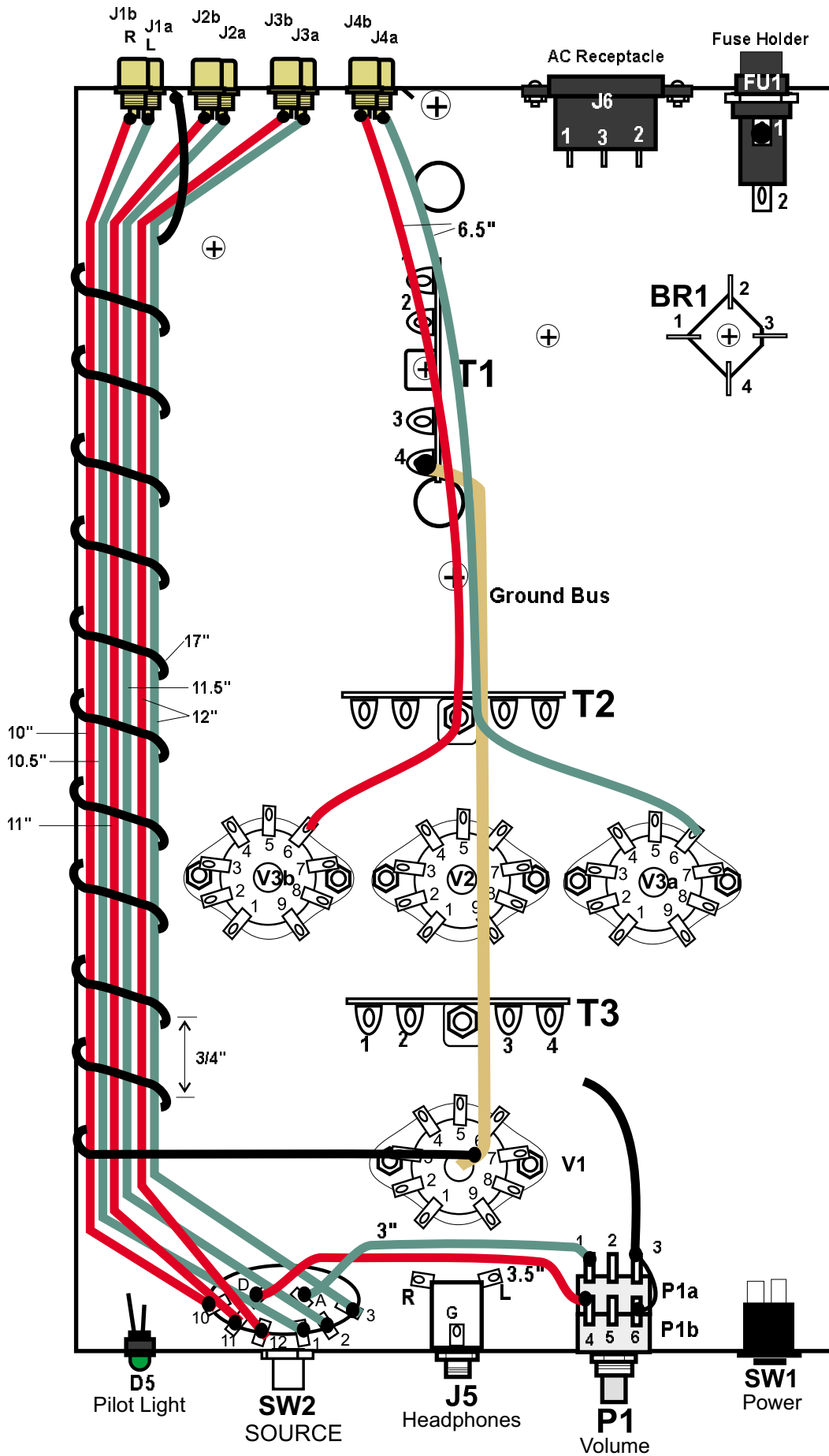


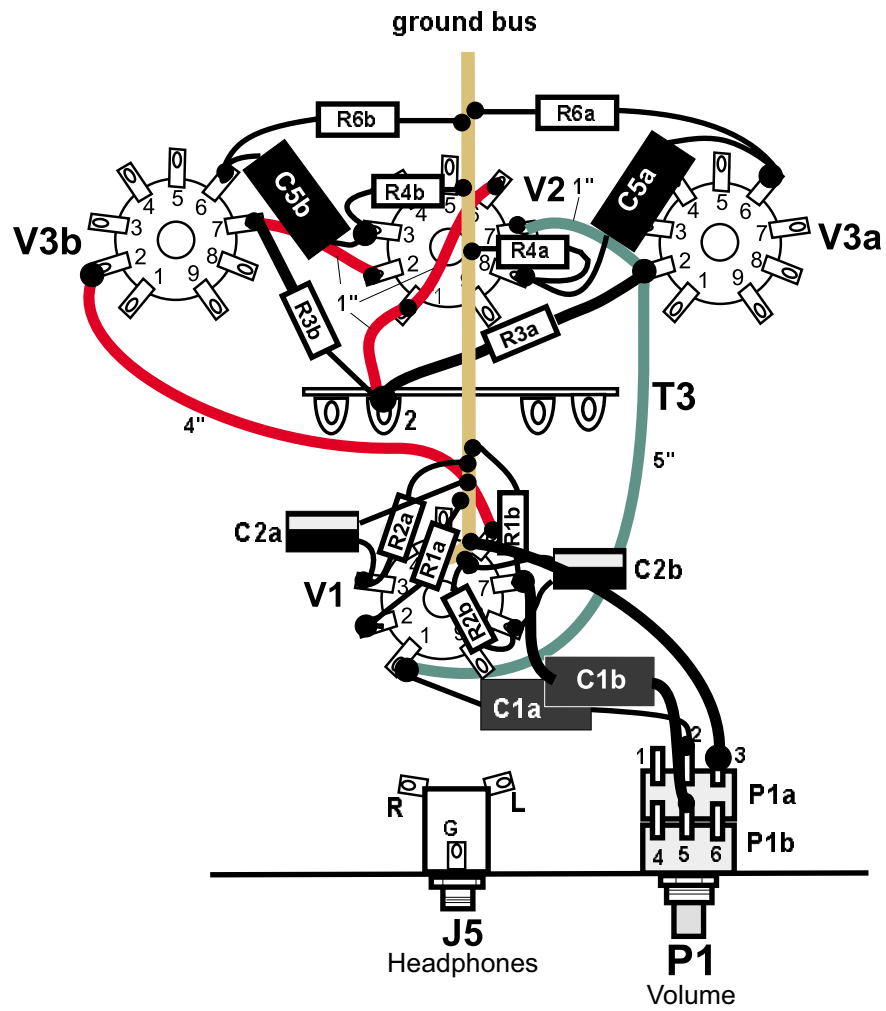
**Wiring Diagram 1**  
(top of chassis)



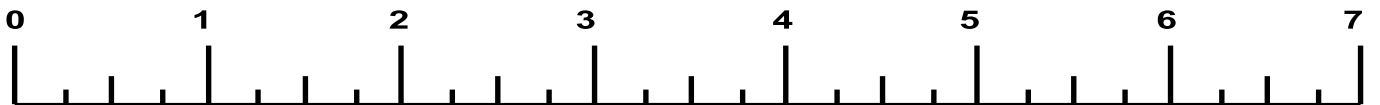


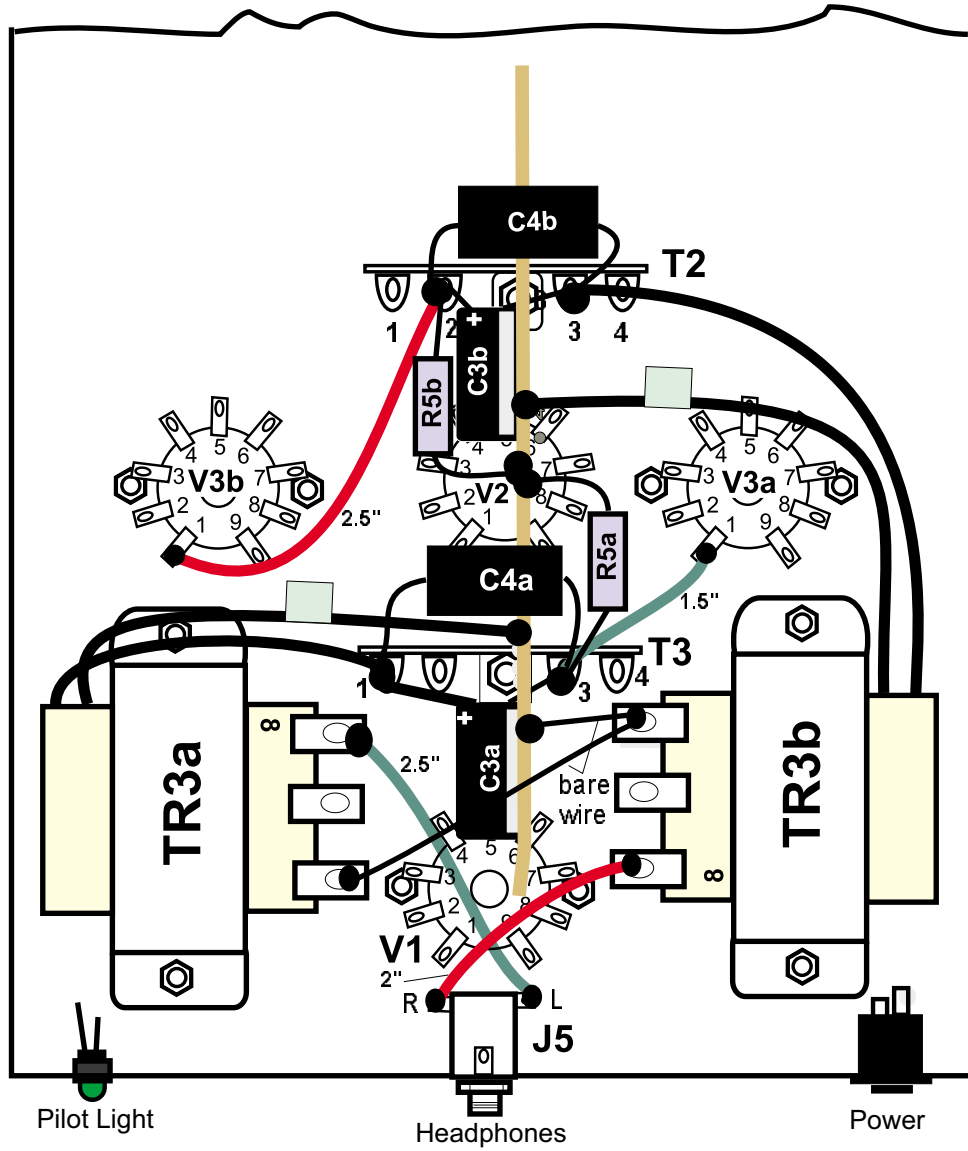


Wiring Diagram 3



Wiring Diagram 4





Wiring Diagram 5

