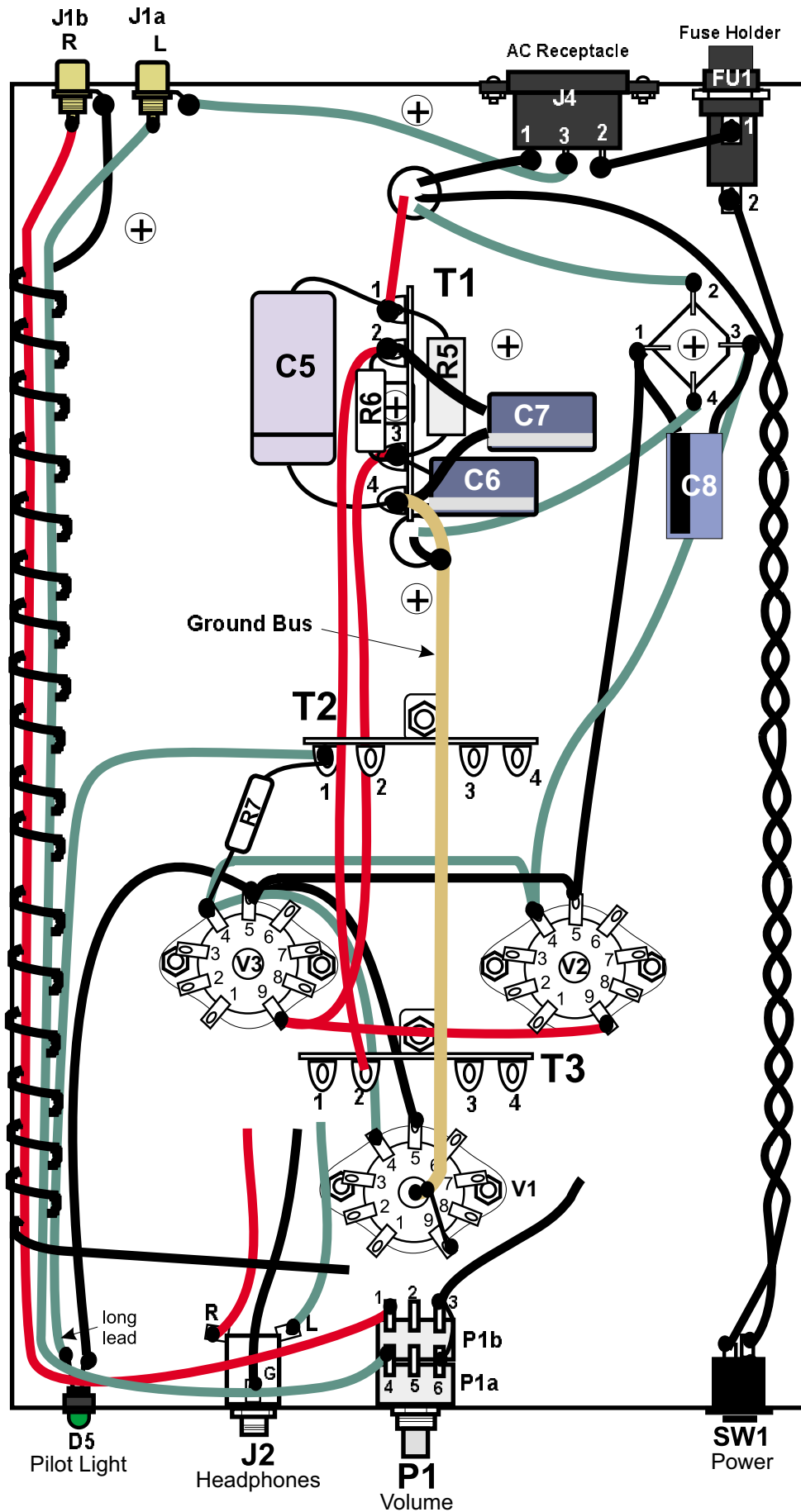
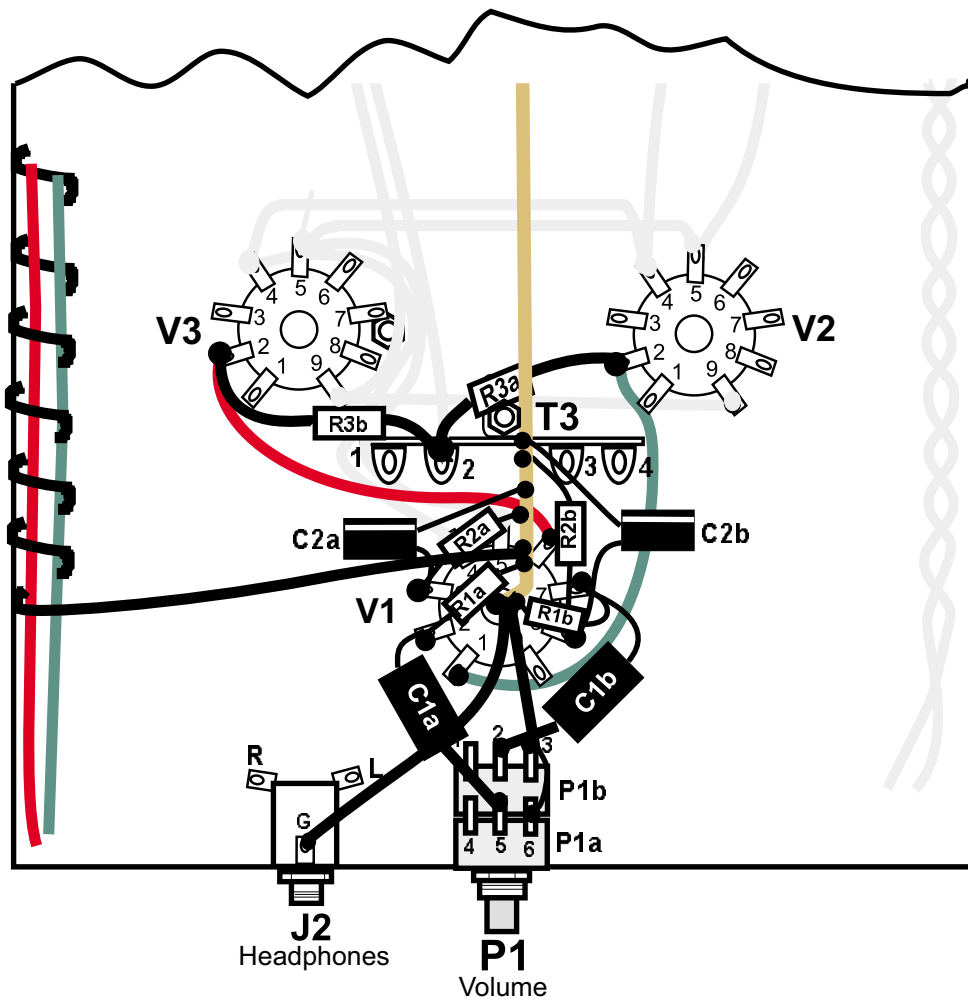


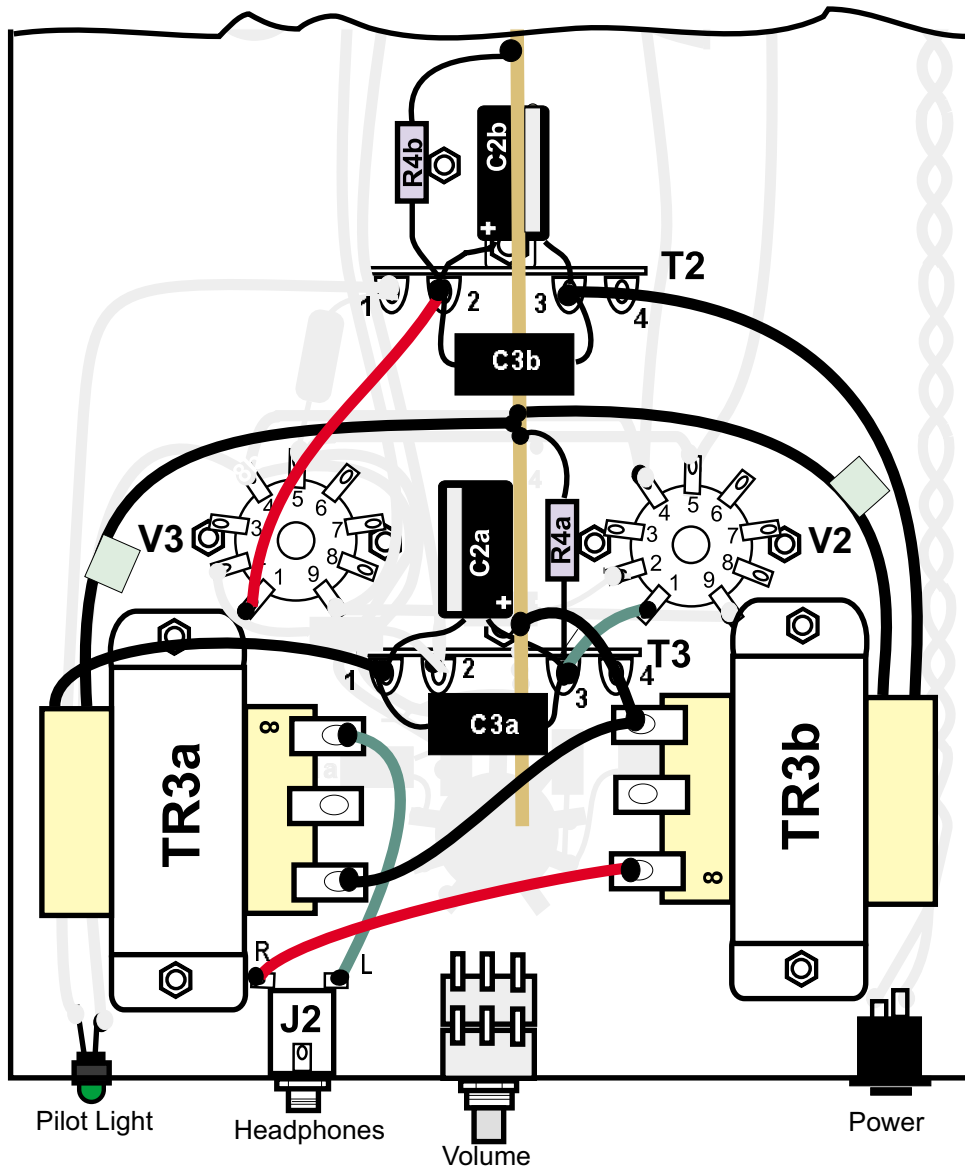
**Wiring Diagram 1
(top of chassis)**



Wiring Diagram 2



Wiring Diagram 3



Wiring Diagram 4